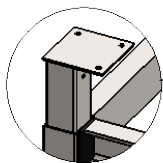
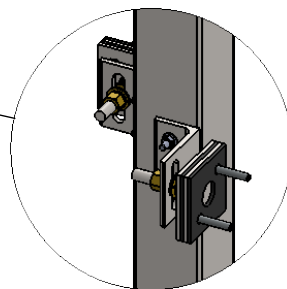


LIFTING BEAMS BY OUR  
LEEA CERTIFIED ENGINEERS

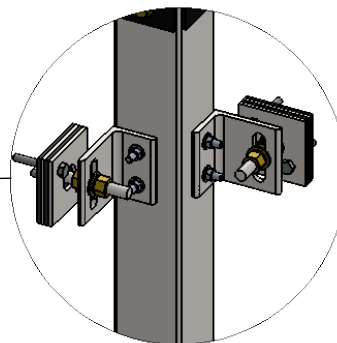
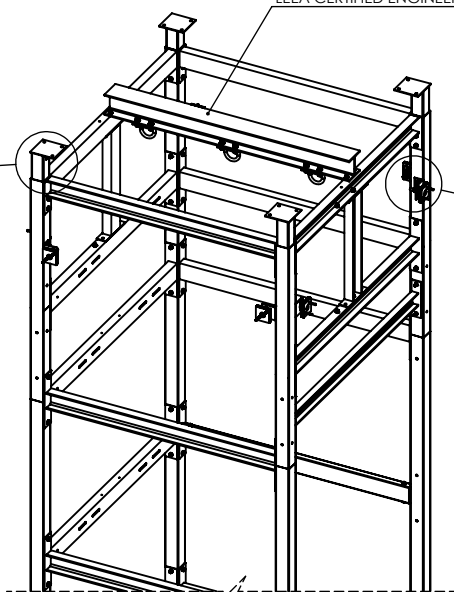
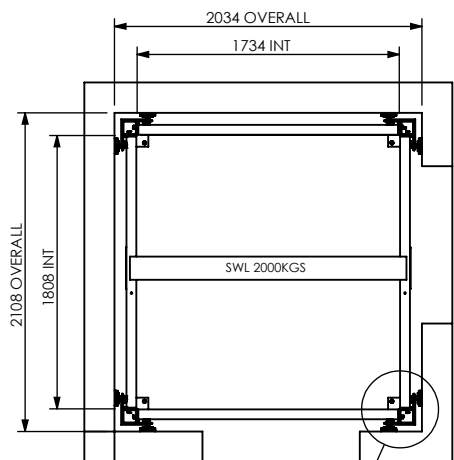


WELL HEAD FIXING ALTERNATIVE



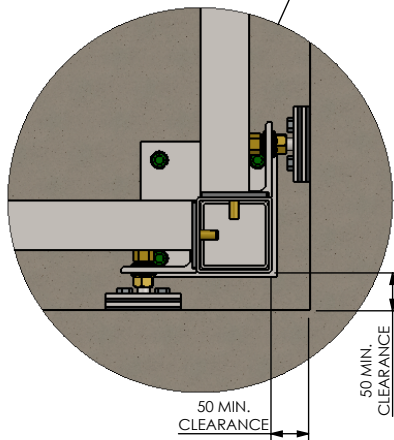
WELL HEAD ISOLATION MOUNT

SUITABLE FIXING POINT TO BE SUPPLIED IN THE SHAFT WALL.  
REMDALE WILL REMOVE ANY CLADDING OF THE SHAFT TO  
ALLOW FIXING OF THE MOUNTS TO THE FLOOR SUBSTRATE.  
ANY REMOVED CLADDING WILL NEED TO BE MADE GOOD BY  
THE BUILDER.



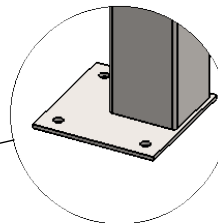
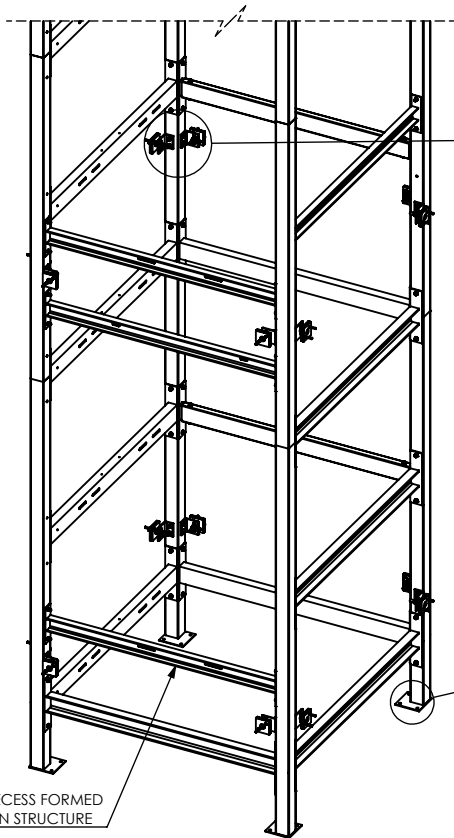
ISOLATION MOUNTS BETWEEN FLOORS

REMDALE WILL REMOVE ANY CLADDING OF THE SHAFT TO  
ALLOW FIXING OF THE MOUNTS TO THE FLOOR SUBSTRATE.  
ANY REMOVED CLADDING WILL NEED TO BE MADE GOOD BY  
THE BUILDER.



MINIMUM CLEARANCE REQUIREMENTS

CILL RECESS FORMED  
WITHIN STRUCTURE



FOOT PLATE

FOOT PLATE FIXED TO PIT FLOOR  
WITH CHEMICAL ANCHORS

REV	MODIFICATION	DATE	DR/N
<p>The information contained in this drawing is confidential and the copyright property of <b>Ikonic Lifts</b>. Neither the whole or any extract may be disclosed, loaned, copied or used for manufacture or tendering purposes without written consent and then only on the condition that this acknowledgement is included in any reproduction.</p>			
TITLE			
A3			